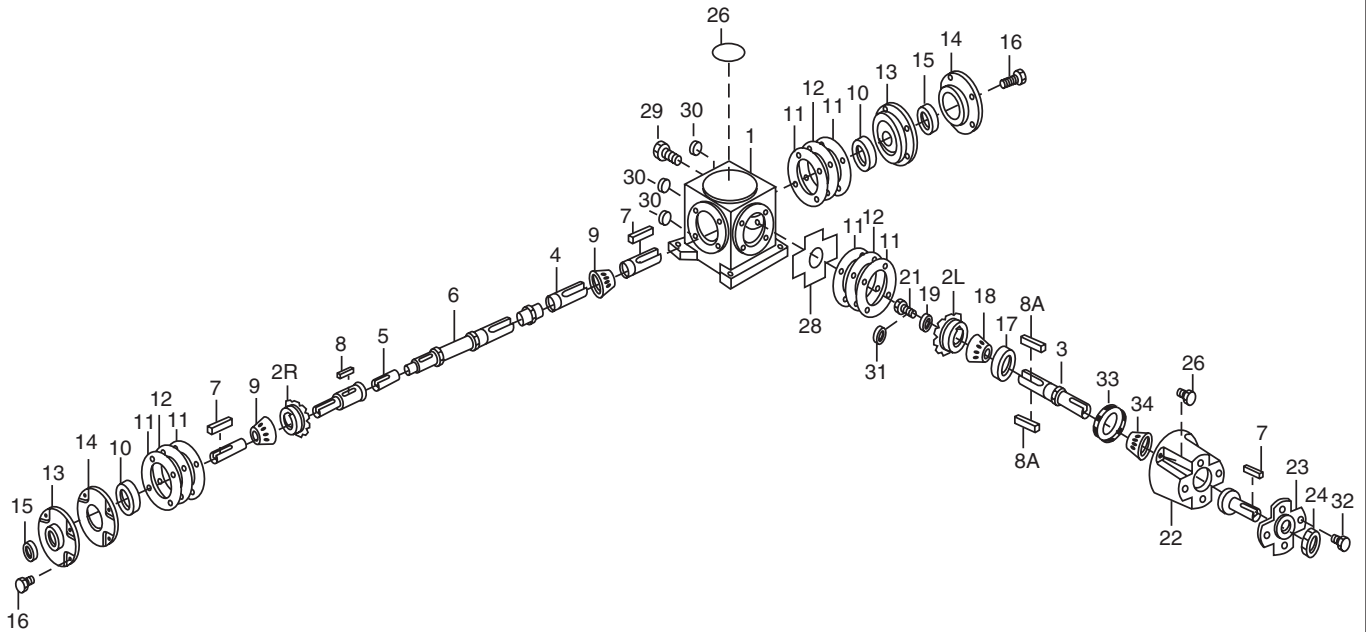


R100/R200 SERIES & VR100/VR200 SERIES — PARTS LIST



MODEL R100/R200 SHOWN*

PART ORDERING INFORMATION

Be sure to provide complete Boston Gear catalog number from speed reducer nameplate, along with part description and number.

*Note: Models R100/R200 parts common to VR100/VR200.

ITEM NO.	DESCRIPTION OF PART	ITEM NO.	DESCRIPTION OF PART	ITEM NO.	DESCRIPTION OF PART
1	Basic Housing	11	Shim	23	Input Bearing Retainer
1A	Basic Housing - VR Series	12	Shim	24	Oil Seal, Input
2R	Spiral Miter or Bevel Gear (RH)	13	Output Bearing Carrier (O/E)	25	Soc. Head Capscrew
2L	Spiral Miter Gear or Bevel Pinion (LH)	14	Output Bearing Carrier (C/E)	26	Small Nameplate
3	Input Shaft	15	Oil Seal, Output	27	Cover
4	Output Shaft-Double Proj	16	Hex Head Capscrews	28	Baffle
5	Output Shaft-Single Proj	17	Bearing Cup, Input	29	Vented Oil Filler
6	Output Shaft-Single Proj	18	Bearing Cone, Input	30	Socket Pipe Plug
7	Key	19	Input Shaft Washer	31	Locknut-R & VR 231
8	Key, Gear	20	Hex Head Capscrew Cover	32	Socket Head Capscrew
8A	Key, Gear or Pinion	21	Input Shaft Hex Hd Capscrew	33	Bearing Cup, Input
9	Bearing Cone, Output	22	Input Shaft Bearing Carrier	34	Bearing Cone, Input
10	Bearing Cup, Output				